



Columbia REA

A Touchstone Energy® Cooperative 
The power of human connections

NEW SERVICE DRAWINGS

TABLE OF CONTENTS

PAGE 1	OVERHEAD UTILITY SERVICE
PAGE 2	OVERHEAD TEMPORARY SERVICE
PAGE 3	UNDERGROUND SERVICE ON BUILDING
PAGE 4	UNDERGROUND SERVICE ON BUILDING (SUBDIVISION)
PAGE 5	UNDERGROUND SERVICE ON REMOTE METER PEDESTAL
PAGE 6	UNDERGROUND TEMPORARY SERVICE
PAGE 7	UNDERGROUND THREE PHASE CT METERED SERVICE
PAGE 8	METER BASE TYPES
PAGE 9	TRENCH SPECIFICATIONS
PAGE 10	STANDBY GENERATORS



UTILITY LOCATE
 CALL 48 HOURS
 BEFORE YOU DIG
 1-800-424-5555

NOTES:

1. CONTACT COLUMBIA REA BEFORE CONSTRUCTING ANY NEW ELECTRIC SERVICE POINT. THE SPECIFICATIONS IN THIS DRAWING ARE SUBJECT TO CHANGE, SITE SPECIFIC CONDITIONS MAY CHANGE REQUIREMENTS.
2. CUSTOMER PROVIDES ALL METER POLE EQUIPMENT EXCEPT METER AND SERVICE WIRE
3. WASHINGTON STATE LABOR AND INDUSTRIES MUST APPROVE ANY NEW INSTALLATION BEFORE A CONNECTION TO UTILITY POWER CAN BE COMPLETED

COLUMBIA REA TO PROVIDE:

- SERVICE WIRE
- ENERGY METER
- METER POLE
- TRANSFORMER & METER POLE ATTACHMENTS
- POLE GROUND

MEMBER TO PROVIDE:

- METER BASE
- WEATHER HEAD AND CONDUCTOR
- SERVICE DISCONNECT (FUSE OR BREAKER)

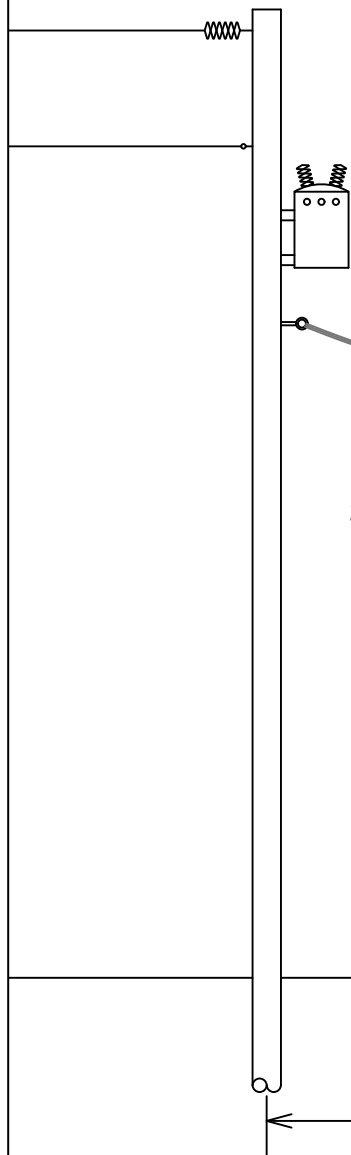
MAST HEIGHT TO BE WITHIN
 24" OF THE TOP OF THE POLE

SERVICE DISCONNECT IS REQUIRED
 TO BE ON THE METER POLE

UTILITY LOCATE
CALL 48 HOURS
BEFORE YOU DIG
1-800-424-5555

NOTES:

1. CONTACT COLUMBIA REA BEFORE CONSTRUCTING ANY NEW ELECTRIC SERVICE POINT. THE SPECIFICATIONS IN THIS DRAWING ARE SUBJECT TO CHANGE ON A CASE BY CASE BASIS. COLUMBIA REA MAY ALTER THE REQUIREMENTS TO SUIT THE GIVEN CONDITIONS A PROJECT MAY PRESENT.
2. CUSTOMER PROVIDES ALL METER POLE EQUIPMENT EXCEPT METER AND SERVICE WIRE
3. WASHINGTON STATE LABOR AND INDUSTRIES MUST APPROVE ANY NEW INSTALLATION BEFORE A CONNECTION TO UTILITY POWER CAN BE COMPLETED



MAST HEIGHT TO BE WITHIN
24" OF THE TOP OF THE POLE

16' MIN

TYPICAL
10' MIN
20' MAX

COLUMBIA REA TO PROVIDE:

- ENERGY METER
- TRANSFORMER POLE ATTACHMENTS

MEMBER TO PROVIDE:

- METER POLE (SET A MIN OF 5.5' IN DEPTH)
- METER BASE
- SERVICE WIRE
- WEATHER HEAD & CONDUCTOR
- FUSED SERVICE DISCONNECT

SERVICE DISCONNECT IS REQUIRED
TO BE ON THE METER POLE

LOCATION TO BE APPROVED BY A CREA REPRESENTATIVE
BEFORE CONSTRUCTION OF TEMP SERVICE



2929 MELROSE STREET
WALLA WALLA, WA 99362
WWW.COLUMBIAREA.COOP

COLUMBIA REA

OVERHEAD TEMPORARY SERVICE

DRAWN BY: BRM
CHECKED BY: BRM
SCALE: NA
DATE: 3/3/2022
SHEET: 2 OF 10

NOTES:

1. CONTACT COLUMBIA REA BEFORE CONSTRUCTING ANY NEW ELECTRIC SERVICE POINT. THE SPECIFICATIONS IN THIS DRAWING ARE SUBJECT TO CHANGE, SITE SPECIFIC CONDITIONS MAY CHANGE REQUIREMENTS.
2. THE METER BASE SHALL BE PLACED IN A LOCATION WITH CLEAR AND UNOBSTRUCTED ACCESS AT ALL TIMES
3. WASHINGTON STATE LABOR AND INDUSTRIES MUST APPROVE ANY NEW INSTALLATION BEFORE A CONNECTION TO UTILITY POWER CAN BE COMPLETED

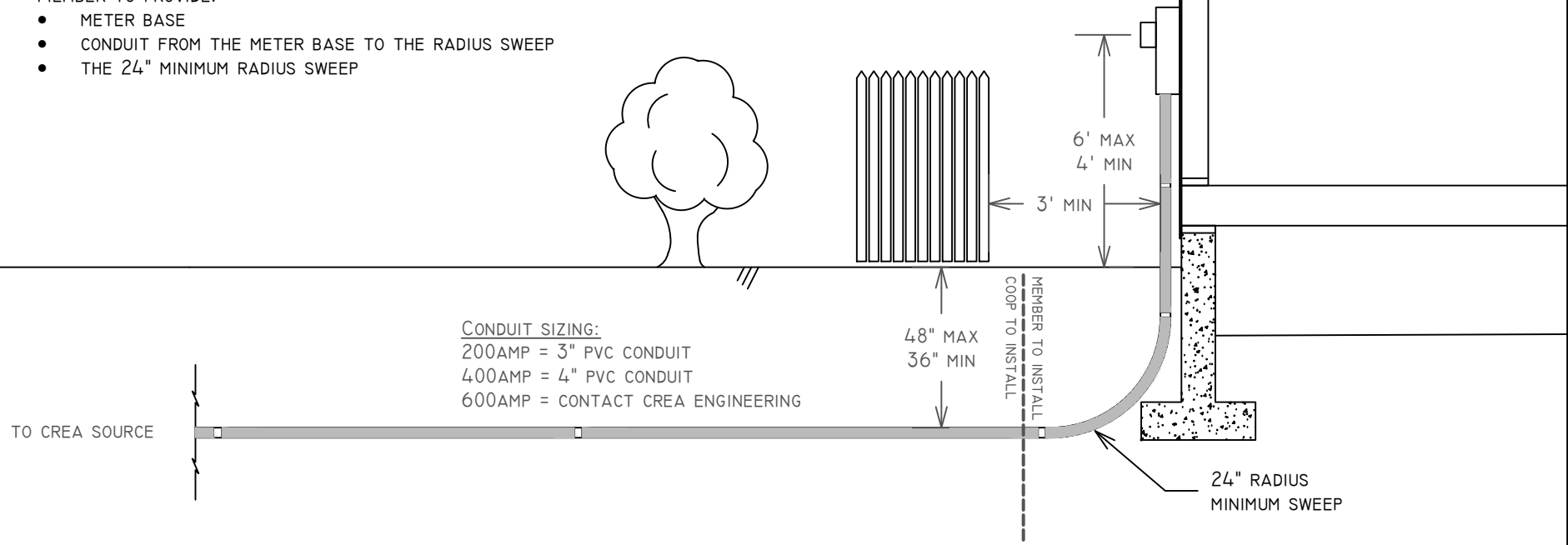
UTILITY LOCATE
 CALL 48 HOURS
 BEFORE YOU DIG
 1-800-424-5555

COLUMBIA REA TO PROVIDE:


- SECONDARY SERVICE WIRE FROM SOURCE TO METER BASE
- CONDUIT FROM SOURCE UP TO 24" MINIMUM RADIUS SWEEP
- ENERGY METER

MEMBER TO PROVIDE:

- METER BASE
- CONDUIT FROM THE METER BASE TO THE RADIUS SWEEP
- THE 24" MINIMUM RADIUS SWEEP



CONDUIT SIZING:
 200AMP = 3" PVC CONDUIT
 400AMP = 4" PVC CONDUIT
 600AMP = CONTACT CREA ENGINEERING



Columbia REA
 A Washington Energy Cooperative
 2929 MELROSE STREET
 WALLA WALLA, WA 99362
 WWW.COLUMBIAREA.COOP

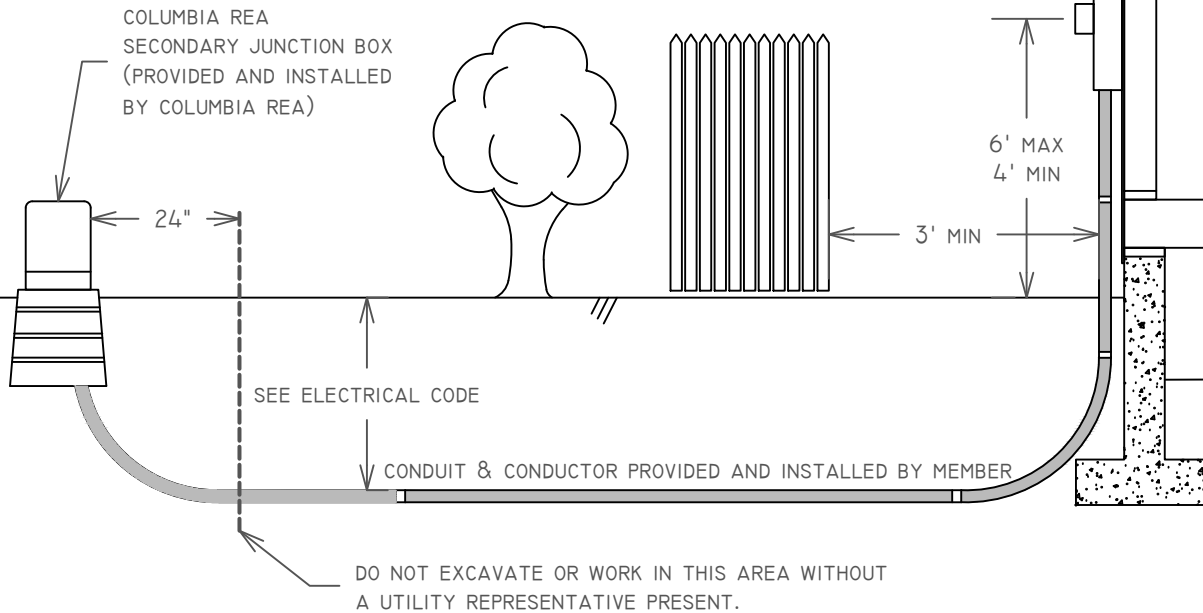
COLUMBIA REA
UNDERGROUND SERVICE
 METER ON BUILDING

DRAWN BY: BRM
CHECKED BY: BRM
SCALE: NA
DATE: 3/3/2022
SHEET: 3 OF 10

NOTES:

1. CONTACT COLUMBIA REA BEFORE CONSTRUCTING ANY NEW ELECTRIC SERVICE POINT. THE SPECIFICATIONS IN THIS DRAWING ARE SUBJECT TO CHANGE, SITE SPECIFIC CONDITIONS MAY CHANGE REQUIREMENTS.
2. CONDUIT IS PROVIDED AND INSTALLED BY THE MEMBER PER THE APPLICABLE CODES AND LAWS
3. MEMBER SHALL PROVIDE SERVICE WIRE
4. MEMBER SHALL PROVIDE ANY TRENCHING NECESSARY TO INSTALL THE SERVICE
5. MEMBER SHALL NOT EXCAVATE WITHIN 24" OF THE UTILITY TRANSFORMER OR SECONDARY JUNCTION BOX WITHOUT A UTILITY REPRESENTATIVE PRESENT
6. WASHINGTON STATE LABOR AND INDUSTRIES MUST APPROVE ANY NEW INSTALLATION BEFORE A CONNECTION TO UTILITY POWER CAN BE COMPLETED
7. THE METER BASE SHALL BE PLACED ON THE FRONT OR SIDE OF THE RESIDENTS
8. THE METER BASE SHALL BE PLACED IN A LOCATION COLUMBIA REA REPRESENTATIVES WILL HAVE UNOBSTRUCTED ACCESS AT ALL TIMES. (NOT INDOORS, BEHIND GATES, ETC.)
9. SECONDARY SERVICE WIRE SHALL BE PLACED IN CONDUIT.

UTILITY LOCATE
 CALL 48 HOURS
 BEFORE YOU DIG
 1-800-424-5555



2929 MELROSE STREET
 WALLA WALLA, WA 99362
 WWW.COLUMBIAREA.COOP

COLUMBIA REA SUBDIVISION UNDERGROUND SERVICE

DRAWN BY: BRM
CHECKED BY: BRM
SCALE: NA
DATE: 3/3/2022
SHEET: 4 OF 10

NOTES:

1. CONTACT COLUMBIA REA BEFORE CONSTRUCTING ANY NEW ELECTRIC SERVICE POINT. THE SPECIFICATIONS IN THIS DRAWING ARE SUBJECT TO CHANGE, SITE SPECIFIC CONDITIONS MAY CHANGE REQUIREMENTS.
2. THE METER BASE SHALL BE PLACED IN A LOCATION WITH CLEAR AND UNOBSTRUCTED ACCESS AT ALL TIMES
3. ALL MEMBER SERVICE LINES SHALL HAVE FUSED DISCONNECT(S) OR CIRCUIT BREAKER(S)
4. WASHINGTON STATE LABOR AND INDUSTRIES MUST APPROVE ANY NEW INSTALLATION BEFORE A CONNECTION TO UTILITY POWER CAN BE COMPLETED

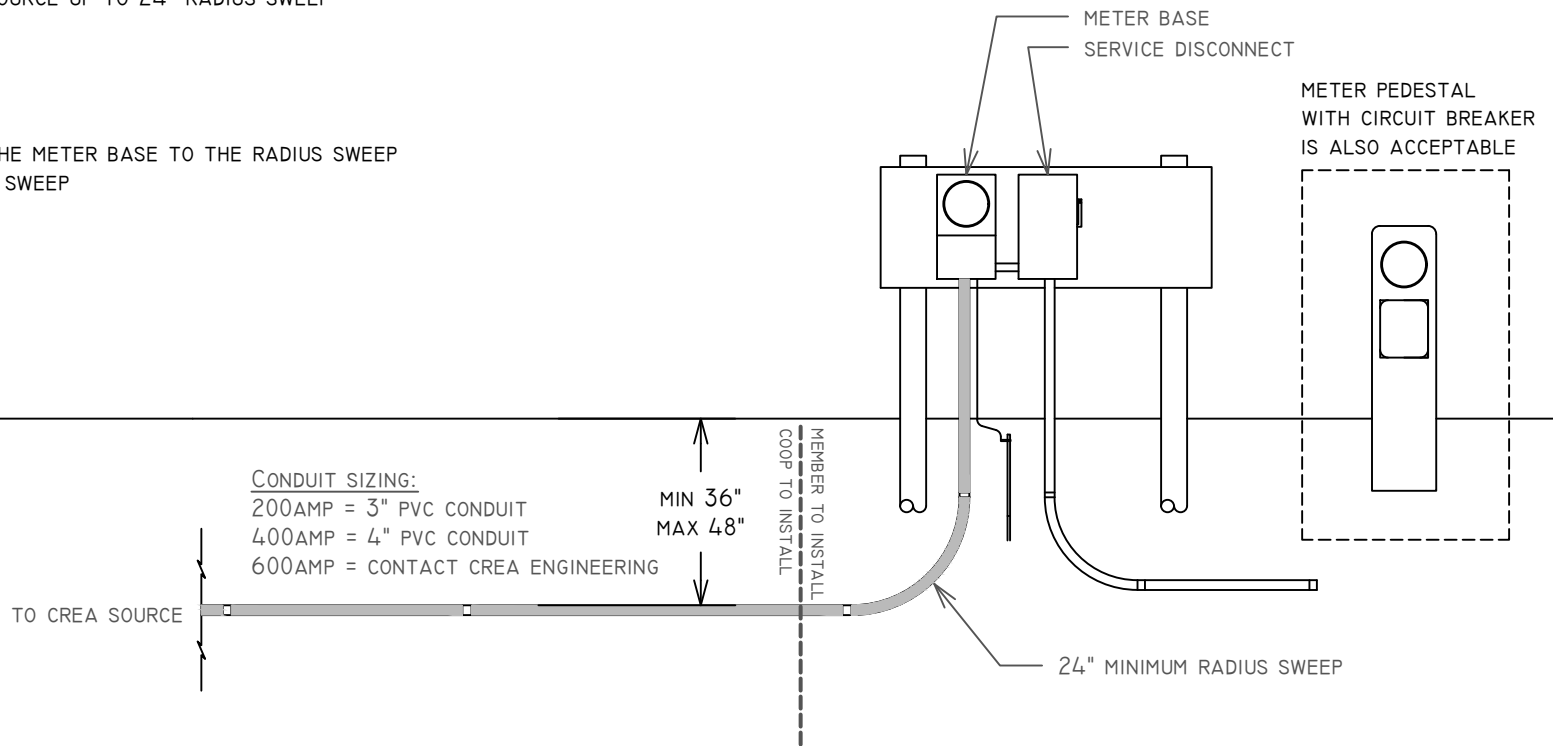
UTILITY LOCATE
 CALL 48 HOURS
 BEFORE YOU DIG
 1-800-424-5555

COLUMBIA REA TO PROVIDE:

- SECONDARY SERVICE WIRE FROM SOURCE TO METER BASE
- CONDUIT FROM SOURCE UP TO 24" RADIUS SWEEP
- ENERGY METER

MEMBER TO PROVIDE:

- METER BASE
- CONDUIT FROM THE METER BASE TO THE RADIUS SWEEP
- THE 24" RADIUS SWEEP



2929 MELROSE STREET
 WALLA WALLA, WA 99362
 WWW.COLUMBIAREA.COOP

COLUMBIA REA

METER PEDESTAL SPECIFICATIONS

DRAWN BY: BRM

CHECKED BY: BRM

SCALE: NA

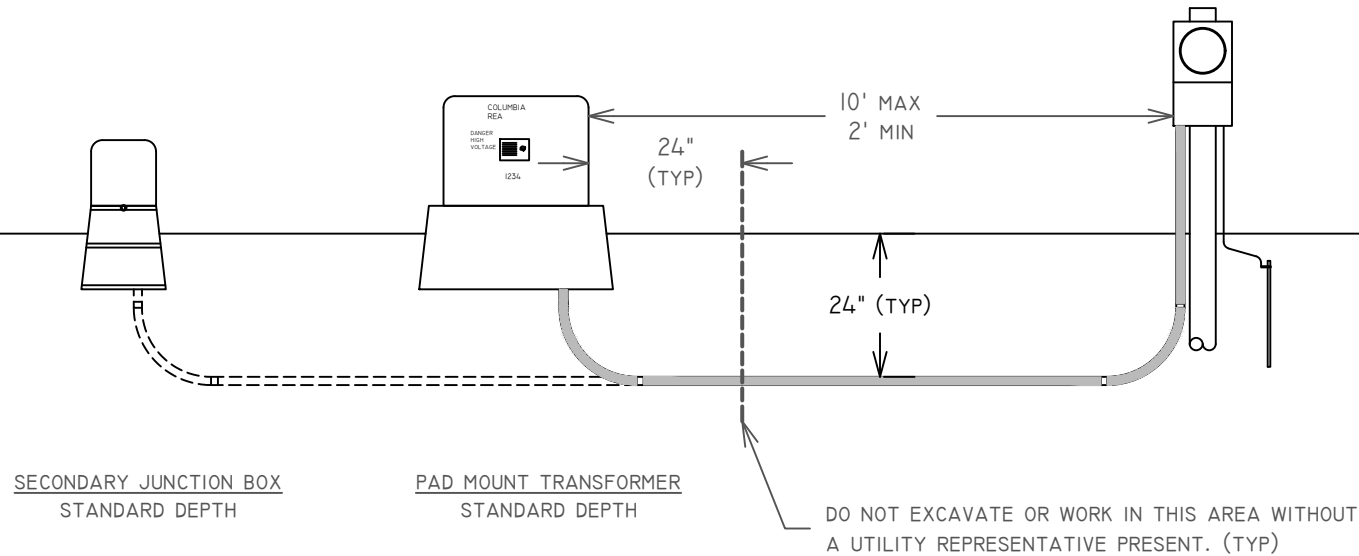
DATE: 3/3/2022

SHEET: 5 OF 10

NOTES:

1. CONTACT COLUMBIA REA BEFORE CONSTRUCTING ANY NEW ELECTRIC SERVICE POINT. THE SPECIFICATIONS IN THIS DRAWING ARE SUBJECT TO CHANGE, SITE SPECIFIC CONDITIONS MAY CHANGE REQUIREMENTS.
2. CONDUIT IS OPTIONAL AND INSTALLED AT THE DISCRETION OF THE MEMBER
3. MEMBER SHALL PROVIDE SERVICE WIRE
4. MEMBER SHALL PROVIDE ANY TRENCHING NECESSARY TO INSTALL TEMPORARY SERVICE
5. MEMBER SHALL NOT EXCAVATE WITHIN 24" OF THE UTILITY TRANSFORMER OR SECONDARY JUNCTION BOX WITHOUT A UTILITY REPRESENTATIVE PRESENT
6. WASHINGTON STATE LABOR AND INDUSTRIES MUST APPROVE ANY NEW INSTALLATION BEFORE A CONNECTION TO UTILITY POWER CAN BE COMPLETED

UTILITY LOCATE
CALL 48 HOURS
BEFORE YOU DIG
1-800-424-5555



2929 MELROSE STREET
WALLA WALLA, WA 99362
WWW.COLUMBIAREA.COOP

COLUMBIA REA

UNDERGROUND TEMPORARY SERVICE

DRAWN BY: BRM

CHECKED BY: BRM

SCALE: NA

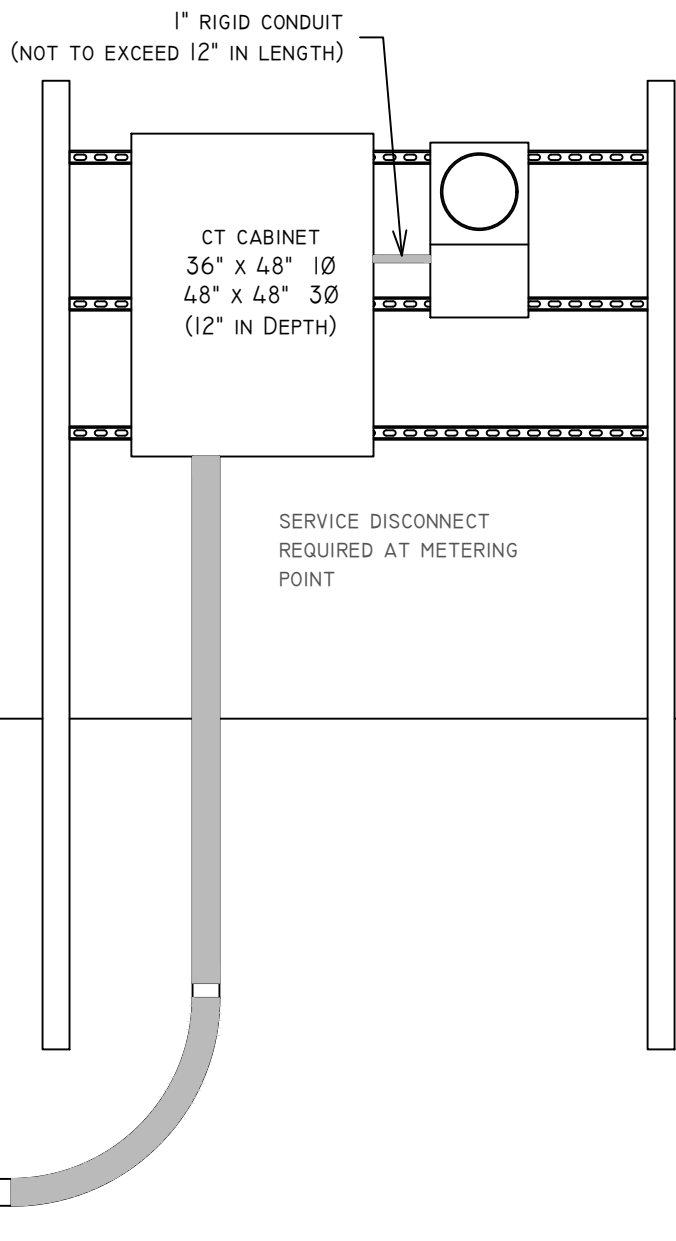
DATE: 3/3/2022

SHEET: 6 OF 10

UTILITY LOCATE
 CALL 48 HOURS
 BEFORE YOU DIG
 1-800-424-5555

NOTES:

1. CONTACT COLUMBIA REA BEFORE CONSTRUCTING ANY NEW ELECTRIC SERVICE POINT. THE SPECIFICATIONS IN THIS DRAWING ARE SUBJECT TO CHANGE, SITE SPECIFIC CONDITIONS MAY CHANGE REQUIREMENTS.
2. MEMBER TO PROVIDE A 36"x48" FOR SINGLE PHASE OR A 48"x48" FOR THREE PHASE, CT-CABINET, CONFIGURED FOR BAR TYPE CTs
3. COLUMBIA REA REQUIRES THE THE CT ENCLOSURE TO HAVE A SINGLE HINGED DOOR. THE HINGED DOOR SHALL OPEN TO THE SIDE OPPOSITE THE METER BASE, SO IN THE FULLY OPEN POSITION THE METER BASE IS FULLY VISIBLE.
4. MEMBER WILL NEED TO PROVIDE THE METER BASE, THIS CAN BE PURCHASED FROM COLUMBIA REA OR SUPPLIED BY OTHERS.
5. SHOULD THE METER BASE BE SOURCED FROM A DIFFERENT SUPPLIER, ENSURE THE METER CONFORMS TO COLUMBIA REA'S STANDARDS BY CONTACTING THE COOPERATIVE'S METERING DEPARTMENT.



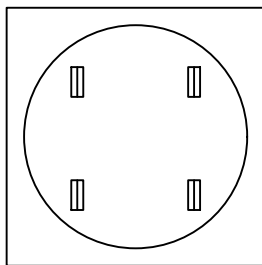
Columbia REA
 A Renewable Energy Cooperative
 2929 MELROSE STREET
 WALLA WALLA, WA 99362
 WWW.COLUMBIAREA.COOP

**COLUMBIA REA
 CT METERED SERVICE**

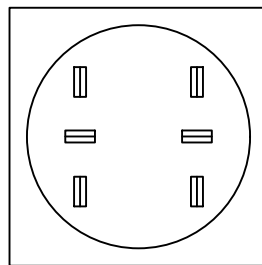
DRAWN BY: BRM
 CHECKED BY: BRM
 SCALE: NA
 DATE: 3/3/2022
 SHEET: 7 OF 10

METER BASE TYPES:

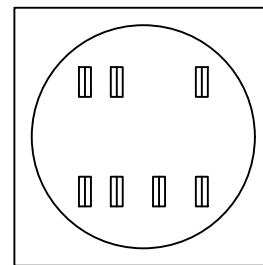
AMPS	VOLTAGE	PHASE	METER	METER BASE TYPE	NOTES
100	120/240V	1-PHASE	SELF-CONTAINED, 3-WIRE	4 JAW (TYPE 2S)	
200	120/240V	1-PHASE	SELF-CONTAINED, 3-WIRE	4 JAW (TYPE 2S)	
400	120/240V	1-PHASE	SELF-CONTAINED, 3-WIRE	4 JAW (TYPE 4S)	BYPASSES REQUIRED (NON-LEVER)
600	120/240V	1-PHASE	CT-METER, 3-WIRE	6 JAW (TYPE 4S)	
UP TO 200	120/208V	3-PHASE	SELF-CONTAINED, 4-WIRE WYE	7 JAW (TYPE 16S)	AVAILABLE FOR PURCHASE AT CREA. BYPASS LINKS REQ. SAFETY SOCKET.
UP TO 200	277/480V	3-PHASE	SELF-CONTAINED, 4-WIRE WYE	7 JAW (TYPE 16S)	AVAILABLE FOR PURCHASE AT CREA. BYPASS LINKS REQ. SAFETY SOCKET.
201 AND UP	120/208V	3-PHASE	CT-METER, 4-WIRE WYE	13 JAW (TYPE 9S)	AVAILABLE FOR PURCHASE AT CREA
201 AND UP	277/480V	3-PHASE	CT-METER, 4-WIRE WYE	13 JAW (TYPE 9S)	AVAILABLE FOR PURCHASE AT CREA



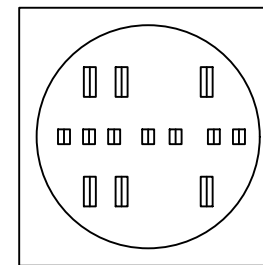
2S - 4 JAW



4S - 6 JAW



16S - 7 JAW



9S - 13 JAW



2929 MELROSE STREET
WALLA WALLA, WA 99362
WWW.COLUMBIAREA.COOP

COLUMBIA REA

METER BASE TYPES

DRAWN BY: BRM

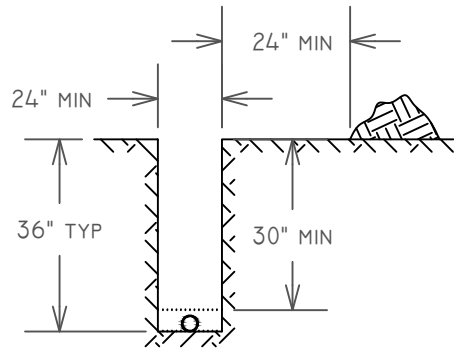
CHECKED BY: BRM

SCALE: NA

DATE: 3/3/2022

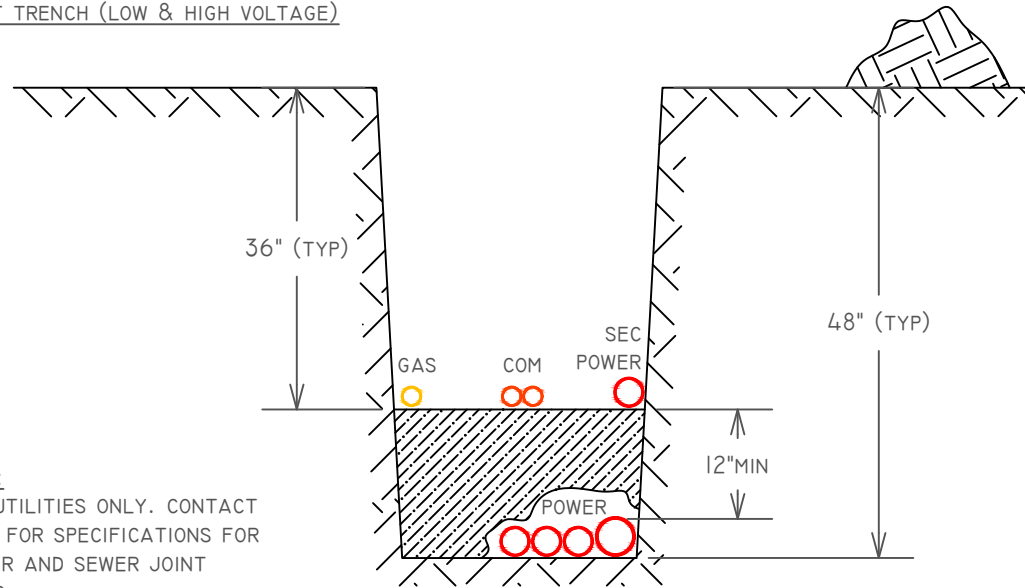
SHEET: 8 OF 10

SECONDARY (LOW VOLTAGE)



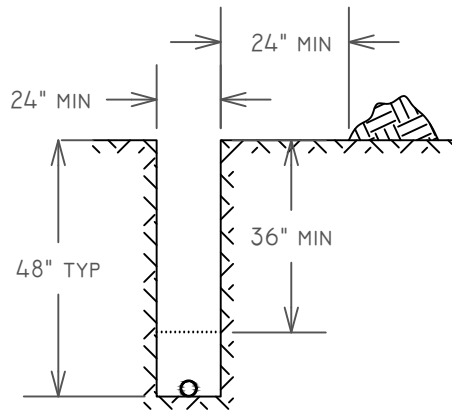
NOTE:
 DRY UTILITIES ONLY. CONTACT
 CREA FOR SPECIFICATIONS FOR
 WATER AND SEWER JOINT
 SPECS

JOINT TRENCH (LOW & HIGH VOLTAGE)

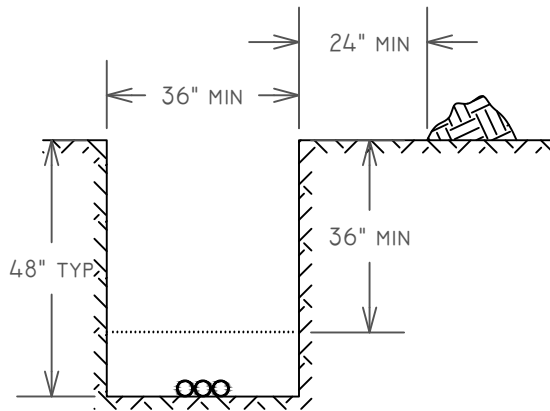


NOTE:
 DRY UTILITIES ONLY. CONTACT
 CREA FOR SPECIFICATIONS FOR
 WATER AND SEWER JOINT
 SPECS

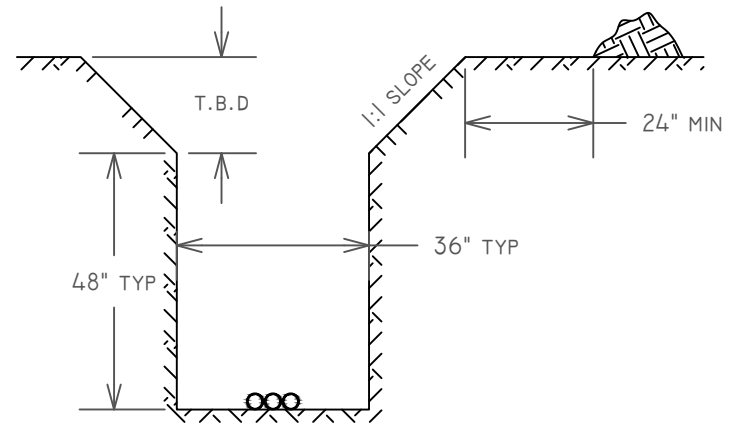
PRIMARY (HIGH VOLTAGE)



SINGLE CONDUIT TRENCH
 STANDARD DEPTH



MULTI-CONDUIT TRENCH
 STANDARD DEPTH



MULTI-CONDUIT / SINGLE CONDUIT TRENCH
 NON-TYPICAL DEPTH



2929 MELROSE STREET
 WALLA WALLA, WA 99362
 WWW.COLUMBIAREA.COOP

COLUMBIA REA TRENCH SPECIFICATIONS

DRAWN BY: BRM

CHECKED BY: BRM

SCALE: NA

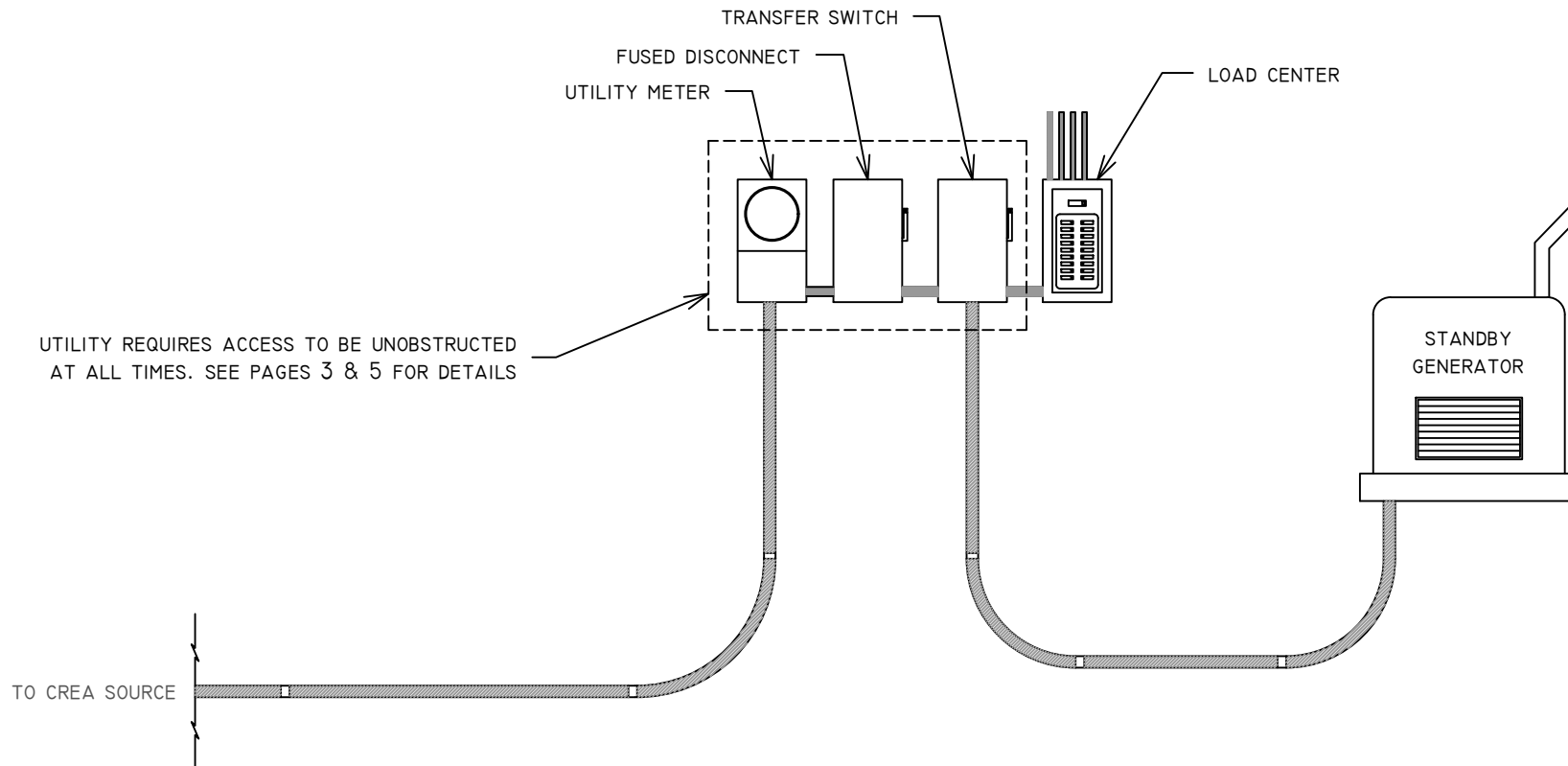
DATE: 3/3/2022

SHEET: 9 OF 10

NOTES:

1. CONNECTING A GENERATOR TO A HOME'S ELECTRICAL CIRCUITS WITHOUT A TRANSFER SWITCH IS A SAFETY HAZARD. IMPROPERLY CONNECTED GENERATORS CAN PRODUCE VOLTAGE THAT CAN CAUSE INJURY OR DEATH TO COLUMBIA REA EMPLOYEES WORKING ON UTILITY LINES AND EQUIPMENT OR TO THE PUBLIC THAT MAY COME IN CONTACT WITH DOWNED LINES OR HAZARDOUS EQUIPMENT.
2. BACKUP GENERATOR INSTALLATIONS SHALL BE APPROVED BY COLUMBIA REA BEFORE INSTALLATION.
3. ALL INSTALLATIONS MUST MEET APPLICABLE CODES, INCLUDING THE NATIONAL ELECTRICAL CODE, AND BE APPROVED BY THE WASHINGTON STATE DEPARTMENT OF LABOR AND INDUSTRIES.
4. THE TRANSFER SWITCH MUST BE DESIGNED IN SUCH A WAY THAT IT CANNOT PHYSICALLY CONNECT THE UTILITY POWER AND THE BACKUP GENERATOR POWER AT THE SAME TIME. EXAMPLES OF TERMS EQUIPMENT MANUFACTURERS MAY USE TO REFER TO THESE TYPES OF SWITCHES INCLUDE BREAK-BEFORE-MAKE, DOUBLE-THROW, OR MECHANICALLY INTERLOCKED.

UTILITY LOCATE
CALL 48 HOURS
BEFORE YOU DIG
1-800-424-5555



2929 MELROSE STREET
WALLA WALLA, WA 99362
WWW.COLUMBIAREA.COOP

COLUMBIA REA STANDBY GENERATORS

DRAWN BY: BRM

CHECKED BY: BRM

SCALE: NA

DATE: 2/23/2023

SHEET: 10 OF 10